

# RB-THERON

AUTONOMOUS MOBILE ROBOT (AMR)

DESIGNED FOR  
**INDOOR APPLICATIONS**

THE ROBOT CAN **CARRY 200 KG** &  
INTEGRATE DIFFERENT SENSORS



LOGISTICS



INDUSTRIAL TASKS



RESEARCH & DEVELOPMENT



# RB-THERON

## 200 KG OF PAYLOAD AND 8H OF AUTONOMY

**RB-THERON** mobile robot is designed for autonomous transport in indoor environments. With a payload capacity of 200 Kg, **RB-THERON** has an improved traction system, lasers and a safety PLC that allow it to work safely in industrial environments where people are around.

### COMPONENTS INCLUDED

- CPU Intel i7
- Safety Pack
  - » 2D safety scanner x2
  - » Safety PLC
- RGBD camera
- 4G Router
- IMU
- Battery 48VDC@21Ah
- Charging station

### OPTIONAL COMPONENTS

- 5G Router
- AI + Vision Package
- 3D Localization and Navigation Package
- Lifting unit

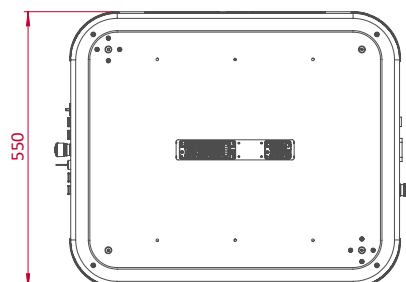
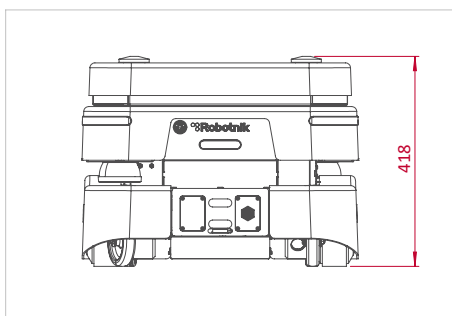
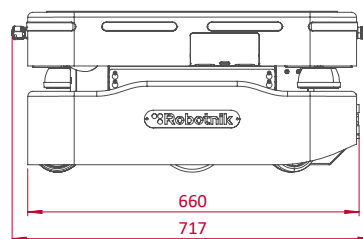
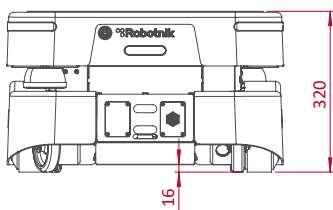
## MECHANICAL

Dimensions	<b>717 x 550 x 320 mm</b>
Dimensions (Lifting unit)	<b>717 x 550 x 418 mm</b>
Weight	<b>70 Kg</b>
Payload	<b>200 Kg</b>
Speed	<b>1,25 m/s</b>
Environment	<b>Indoor</b>
Enclosure class	<b>IP30</b>
Autonomy	<b>Up to 8 h</b>
Traction motors	<b>2 x 250 W with brake</b>
Kinematics	<b>Differential drive</b>
Localization system	<b>SLAM</b>
Temperature range	<b>0°C to + 40°C</b>
Max. slope	<b>6 %</b>

## CONTROL

Controller	<b>ROS Architecture</b>
Communication	<b>WiFi 802.11 b/g/n/ac Bluetooth 4.0</b>
Connectivity	<b>USB x2 Ethernet x3 HDMI x1 DC Power Output</b>

## BLUEPRINTS



LIFTING UNIT