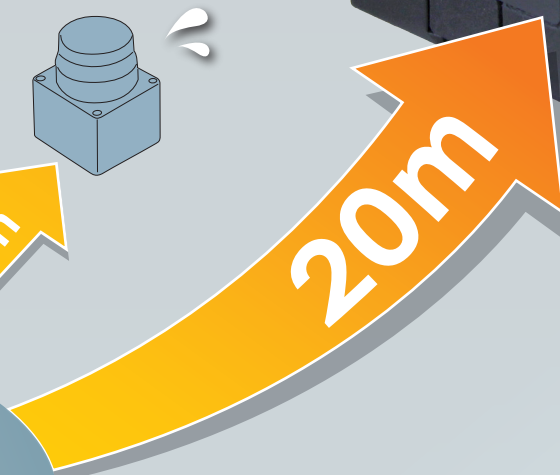
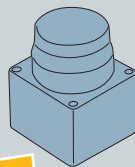


# Scanning Laser Range Finder Smart-LRFG for indoor robots

## Longer distance

UST-10LX : 10m

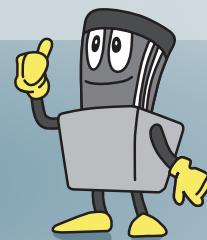
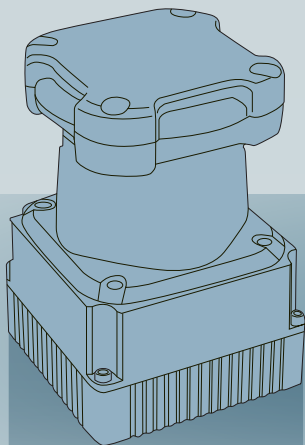
UST-20LX : 20m



## Much smaller

Size : W50×D50×H70

Weight : 130g



## Indoor

Model Number	URG-04LX-UG01	URG-04LX	UBG-04LX-F01	NEW UST-10LX	NEW UST-20LX
Appearance					
Light source	Semiconductor laser diode (FDA approval, Laser safety class 1)				
Scanning range	0.02 to 5.6m 240-degree			0.02 to 10m 270-degree	0.02 to 20m 270-degree
Measuring Accuracy	+/-30mm	+/-10mm		+/-40mm	
Angular resolution	0.352 degrees (360/1,024)			0.25 degrees (360/1,400)	
Scanning frequency	10Hz (600rpm)		36Hz (2160rpm)	40Hz (2,400rpm)	
Multi Echo Function	N/A				
Communication Protocol	SCIP 2.0	SCIP 1.1/2.0	SCIP 2.0	SCIP 2.2	
Communication and DI/O Interface	USB1.1/2.0	USB1.1/2.0, RS-232C		Ethernet 100BASE-TX	
	N/A	Scanner synchronous and Failure output			
Power source	USB bus power	5VDC	12VDC	12V or 24VDC	
Power Consumption	0.5A or less		0.4A or less	0.15A or less (on 24VDC)	
Ambient illuminance	10,000 lx or less				
Protective Structure	-		IP40	IP65	
Weight	160g		185g	130g	
Size (W x D x H) mm	50 x 50 x 70		60 x 75 x 60	50 x 50 x 70	
Reference price					
Note	Inventoried item	Inventoried item	MTO item	It will be scheduled to go on sale in January 2014. Specifications are subject to change without notice.	

## Outdoor

Model Number	UTM-30LX	UTM-30LX-EW	UTM-30LX-F	UXM-30LX-EW	UXM-30LXH-EWA
Appearance					
Light source	Semiconductor laser diode (FDA approval, Laser safety class 1)				
Scanning range	0.1 to 30m 270-degree			0.1 to 30m 190-degree	0.1 to 80m 190-degree
Measuring Accuracy	+/-30mm			+/-50mm	+/-30mm
Angular resolution	0.25 degrees (360/1,400)		0.65 degrees (360/552)	0.25 degrees (360/1,400)	0.125 degrees (360/2,880)
Scanning frequency	40Hz (2,400rpm)		100Hz (6,000rpm)	20Hz (1,200rpm)	
Multi Echo Function	N/A	Max. 3-echo	N/A	Max. 3-echo	Max. 4-echo
Communication Protocol	SCIP 2.0	SCIP 2.2	SCIP 2.0	SCIP 2.2	
Communication and DI/O Interface	USB1.1/2.0	Ethernet 100BASE-TX	USB1.1/2.0	Ethernet 100BASE-TX	
	Scanner synchronous and Failure output			Scanner sync. output Failure output	Scanner sync. output Failure output pair sensor sync. I/O
Power source	12VDC			10~30VDC	
Power Consumption	0.7A or less			0.6A or less (on 12VDC)	
Ambient illuminance	10,000 lx or less				
Protective Structure	IP64 (IEC standard)	IP67 (IEC standard)	IP64 (IEC standard)	IP67 (IEC standard)	
Weight	210g			800g	1200g
Size (W x D x H) mm	60 x 60 x 87	62 x 62 x 87.5	60 x 60 x 87	124 x 126 x 150	
Reference price					
Note	Inventoried item	Inventoried item	MTO item	MTO item	MTO item

Note : These data is for reference only and please make sure the exact data on the official specifications sheets.



**HOKUYO AUTOMATIC CO.,LTD.**

Osaka HU Building, 2-2-5 Tokiwamachi, Chuo-Ku,  
Osaka, Japan. 540-0028

TEL: +81-6-6947-6333 FAX: +81-6-6947-6350

URL <http://www.hokuyo-aut.jp>

E-mail: [info@hokuyo-aut.jp](mailto:info@hokuyo-aut.jp)

**北陽電機株式会社**

東京支店 〒105-0004 東京都港区新橋2-21-1・新橋駅前2号ビル ☎ (03)3572-2846代

東京西営業所 〒422-8041 静岡市駿河区中田2-7-2・加藤ビル ☎ (054)283-4452代

名古屋営業所 〒450-0002 名古屋市中村区名駅4-8-12・菱信ビル ☎ (052)582-4641代

大阪営業所 〒540-0028 大阪府中央区常盤町2-2-5・大阪HUビル ☎ (06)6947-6336代

九州営業所 〒802-0001 北九州市小倉北区浅野2-11-15・KMMビル別館 ☎ (093)551-2188代

<http://www.hokuyo-aut.co.jp/>